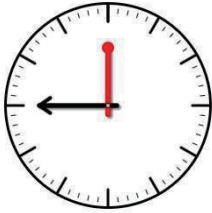



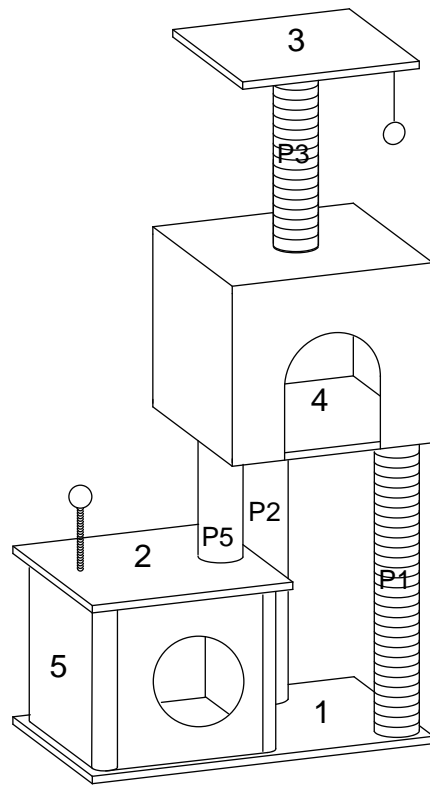
PRE-ASSEMBLY PREPARATION

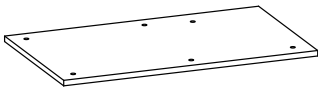
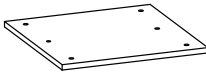
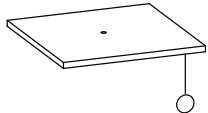
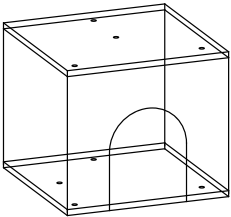
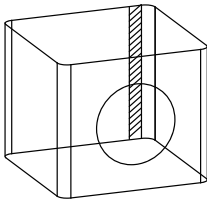
Before you start :

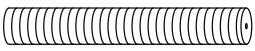

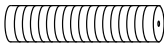
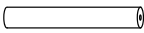
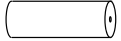
1. Choose a clean, level, spacious assembly area. Avoid hard surfaces that may damage the product
2. Take care when lifting. Product should be assembled as near as possible to the point of use
3. Ensure that you have all required contents for complete assembly
4. Always read the assembly instructions carefully before beginning assembly.
5. Keep all hardware parts and packaging out of reach of small children.
6. Do not over tighten the screws and bolts as this may damage the threads
7. Assembly is to be carried out by a competent adult(s) ONLY
8. During assembly, children should be kept away from the product due to possible risk to injury.
9. Do not use this item if any components are missing or damaged.
Please keep the instructions for future reference.

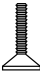



	
Allow 20 min	For 1 person

PARTS LIST



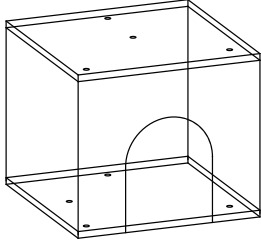
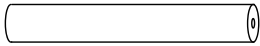
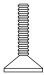

<p>1. Bottom board</p>  <p>1pc</p>	<p>2. Middle board</p> 	<p>3. Top board</p> 
<p>4. Cat cubby</p> 	<p>5. Felt fabric</p> 	

<p>P1. Long sisal pole</p>  <p>1pc</p>	<p>P2. Long plush pole</p>  <p>1pc</p>	<p>P3. Short sisal pole</p>  <p>1pc</p>
<p>P4. Inner plush pole</p>  <p>7pcs</p>	<p>P5. Short plush pole</p>  <p>1pc</p>	

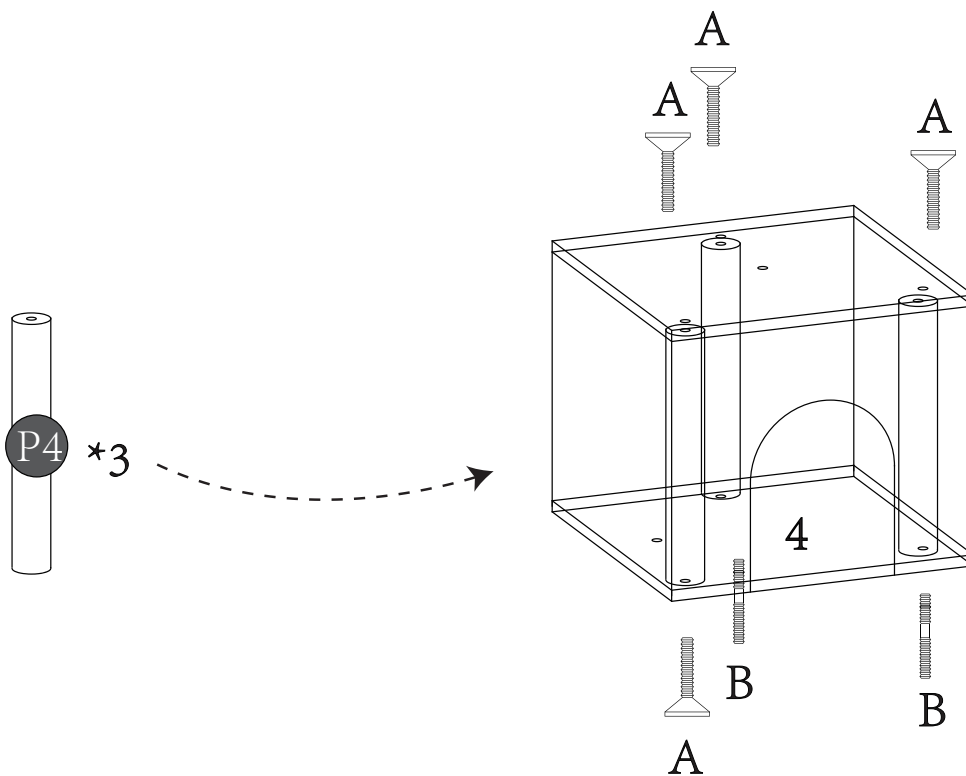
<p>A.</p>  <p>M8*35,18pcs</p>	<p>B.</p>  <p>M8*65,2pcs</p>	<p>C.</p>  <p>M8,1pc</p>	<p>D.</p>  <p>M6,1pc</p>
--	---	---	---

Step 1

You will need

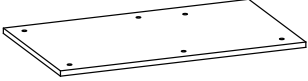

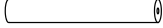
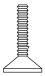
<p>4. Cat cubby</p>  <p>1pc</p>	<p>P4.Inner plush pole</p>  <p>3pcs</p>	<p>A.</p>  <p>M8*35,4pcs</p>
<p>B.</p>  <p>M8*65,2pcs</p>		

- Attach inner plush poles (P4) to the inside of cat arch cubby (4) as per the diagram below, with screws (A) and (B).
- Insert all screws before fully tightening.
- Tighten screw (B). Using allen key (C) tighten screw (A).

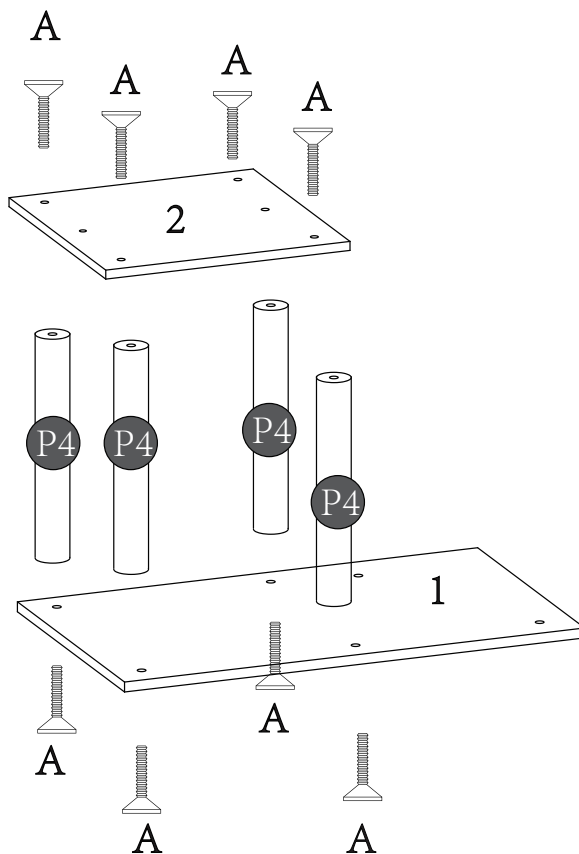


Step 2

You will need

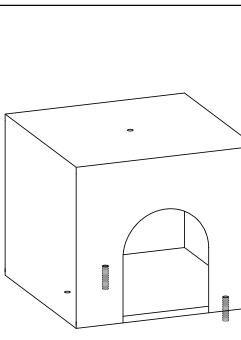




1. Bottom board  1pc	2. Middle board  1pc	P4. Inner plush pole  4pcs
A.  M8*35 8pcs		

- Attach inner plush pole (4) to bottom board (1) and middle board (2) using screw (A).
- Insert all screws before fully tightening.
- Tighten with allen key (C).

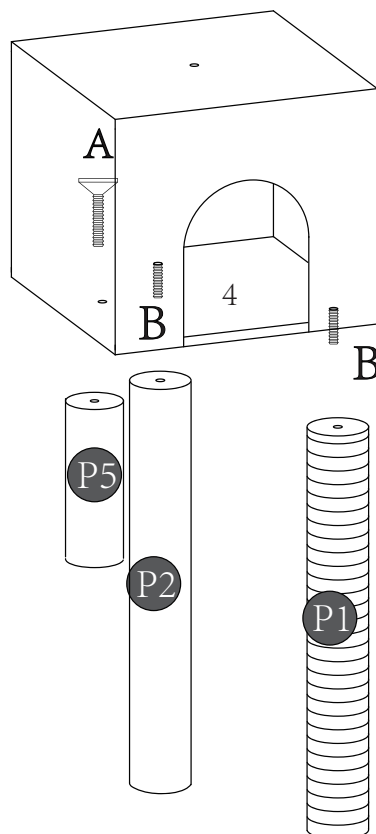


Step 3

You will need

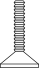

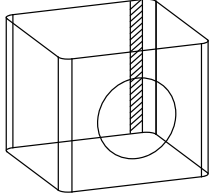
4.  1pc	P1. Long sisal pole  1pc	P2. Long plush pole  1pc
	P5. Short plush pole  1pc	A.  M8*35, 1pc

- Attach short sisal pole (P5) to fixed cat cubby (4) using screw (A).
- Screw long sisal pole (P1) and long plush pole (P2) into screw (B) by rotating part until tight.
- Insert all screws before fully tightening.
- Tighten with allen key (C).

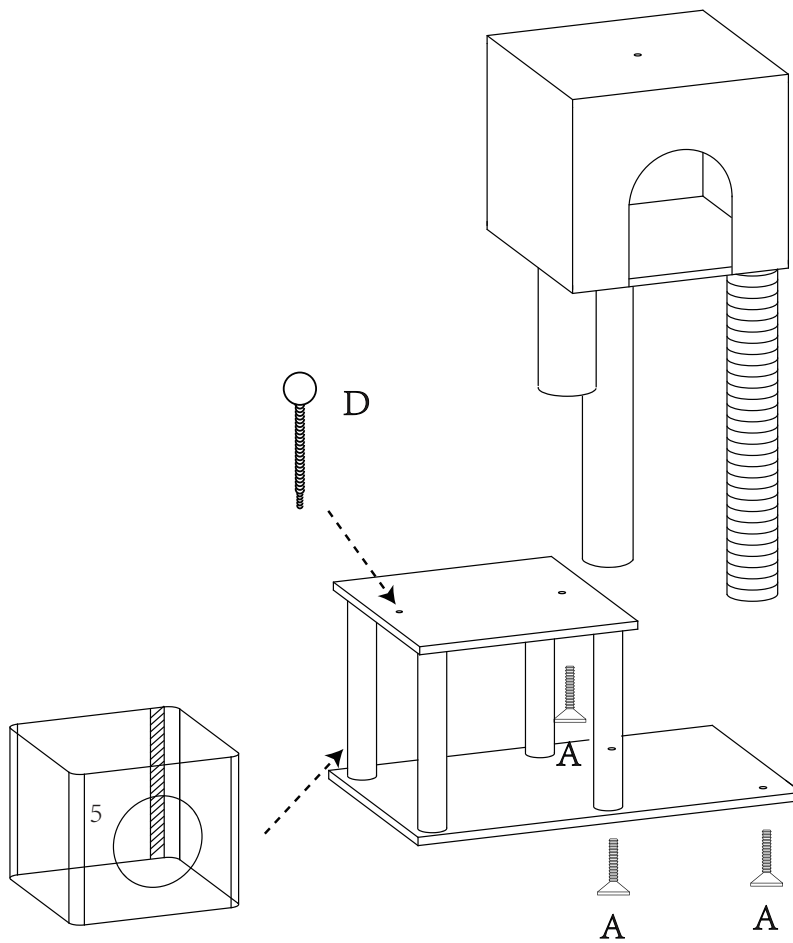


Step 4

You will need

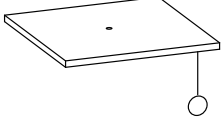
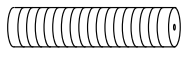
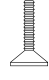
A.  M8*35,3pcs	D.  M6,1pc	5. Felt fabric  1pc
---	---	--

- Connect cat arch cubby section and the bottom part by using screw (A).
- Wrap the felt fabric (5) around the poles and connect with velcro.
- Screw in the part (D)

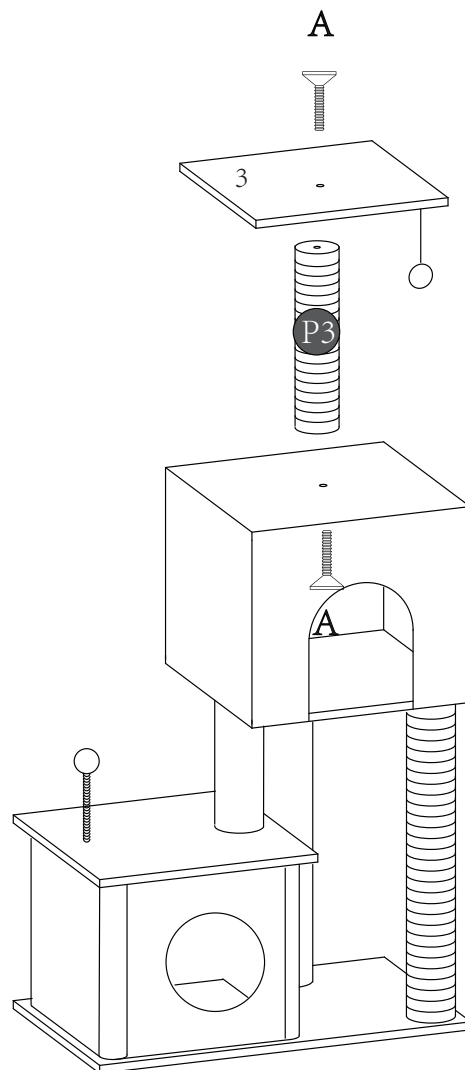


Step 5

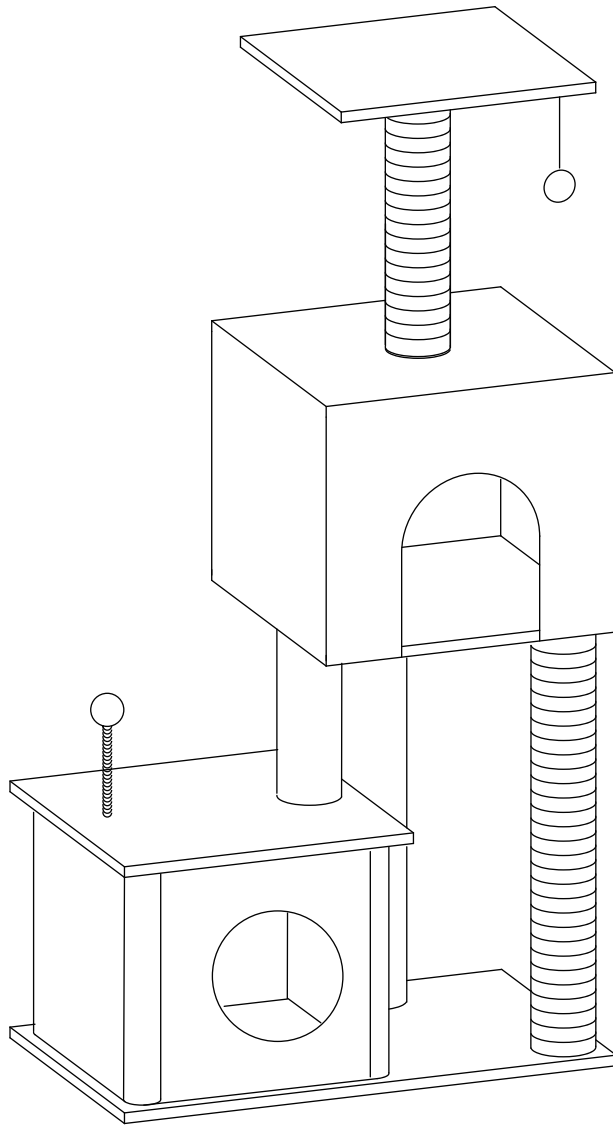
You will need

<p>3. Top board</p>  <p>1pc</p>	<p>P3. Short sisal pole</p>  <p>1pc</p>	<p>A.</p>  <p>M8*35,2pcs</p>
--	--	---

- Attach top board (3) and short sisal pole (P3) to cat arch cubby by using screw (A).
- Insert all screws before fully tightening.
- Tighten with allen key (C).



ASSEMBLY IS COMPLETE



PRODUCT CARE

SPOT CLEANING:

- Do not rub.
- Do not spot clean with solvent.
- Treat spills and stains as soon as possible.
- Gently scrap off any soil or blot any liquid from the surface of the fabric before applying cleaner.
- Apply proprietary cleaning agents strictly according to instructions to remove the residue of the spill.
- Do not saturate the fabric or interior with water or other cleaning liquids.